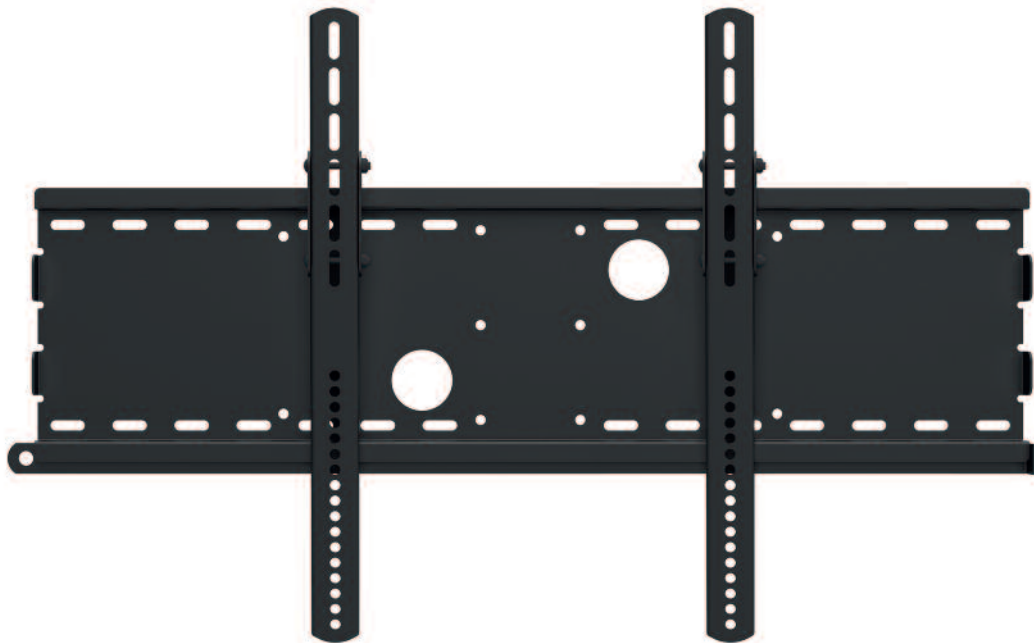


STV-656N, STV-656P

TILTING WALL MOUNT
FOR FLAT SCREENS

INSTRUCTION MANUAL



FONESTAR

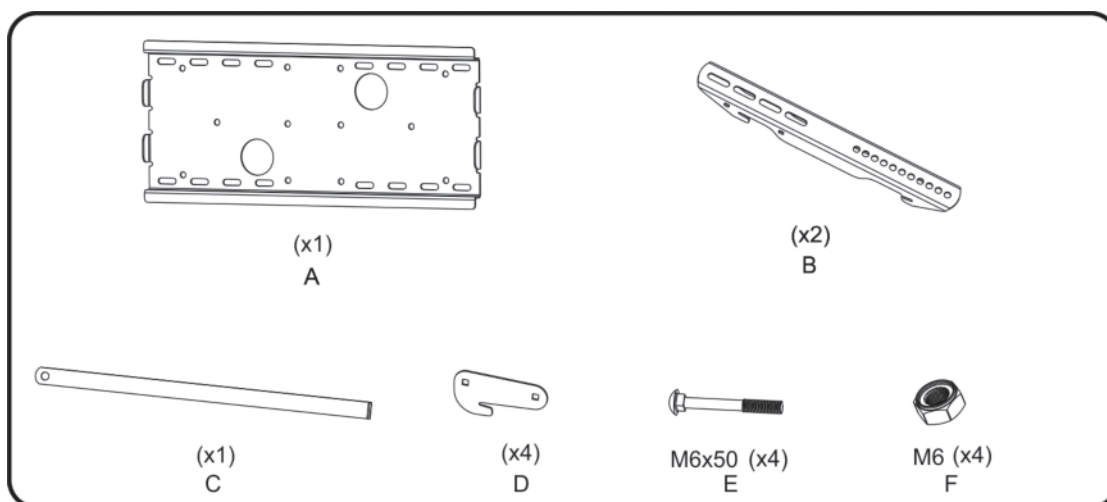
DESCRIPTION

- Tilting wall mount for flat screens from 37" to 70" (94 to 178 cm).
- -5° vertical tilt.
- Distance to the wall in vertical position: 3.2 cm.
- Spirit level.
- Lock system.
- Colour: **STV-656N** = black; **STV-656P** = silver.
- Maximum borne weight: 75 kg.
- Dimensions: Wall plate: 81 x 22 cm.
Adjustable width from 4 to 77 cm x 50 cm height.
Compatible with VESA 600 x 400 maximum.

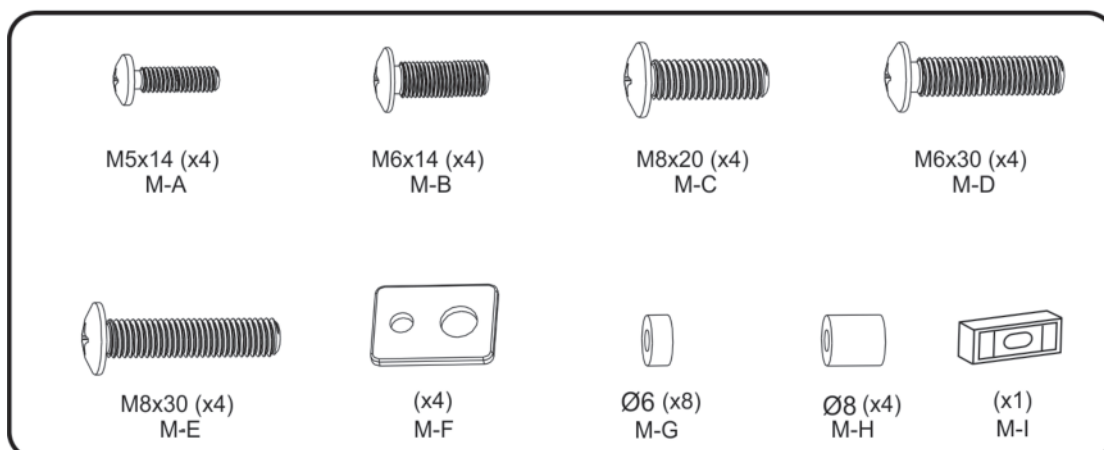
ASSEMBLY INSTRUCTIONS

CAUTION: make sure the surface the mount is going to be installed on is resistant enough and completely flat.

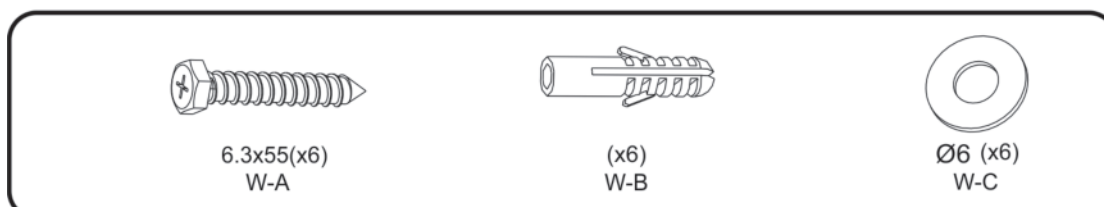
ACCESSORIES INCLUDED



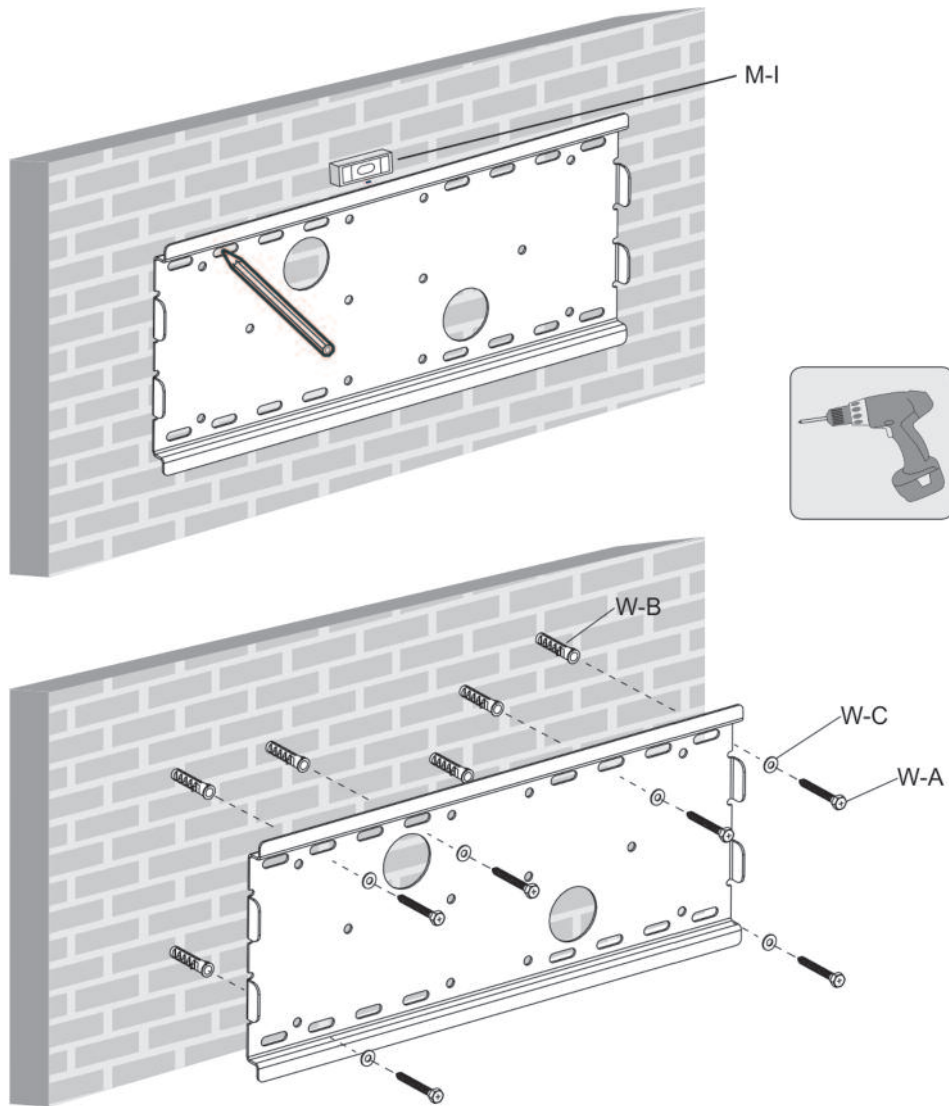
Accessories M



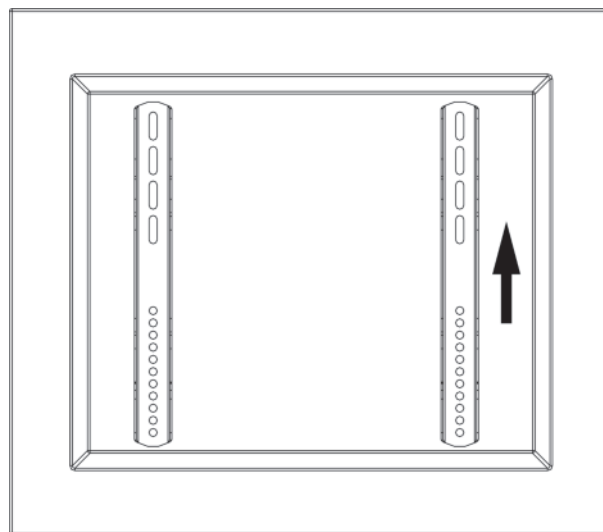
Accessories W



1.- FIXING THE MOUNT TO THE WALL

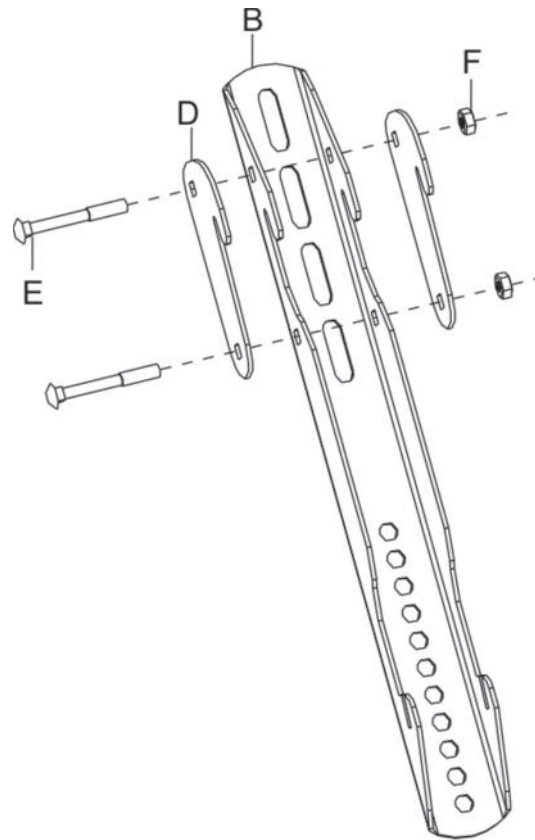


2.- ATTACHING THE SCREEN TO THE MOUNT

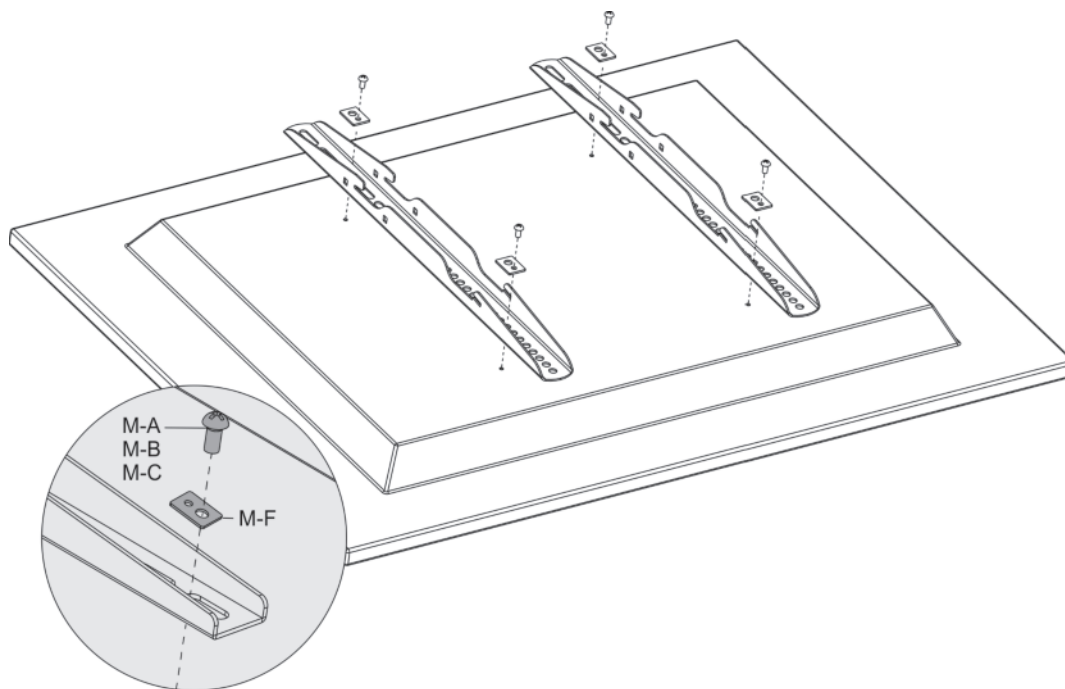


VERTICAL TILT

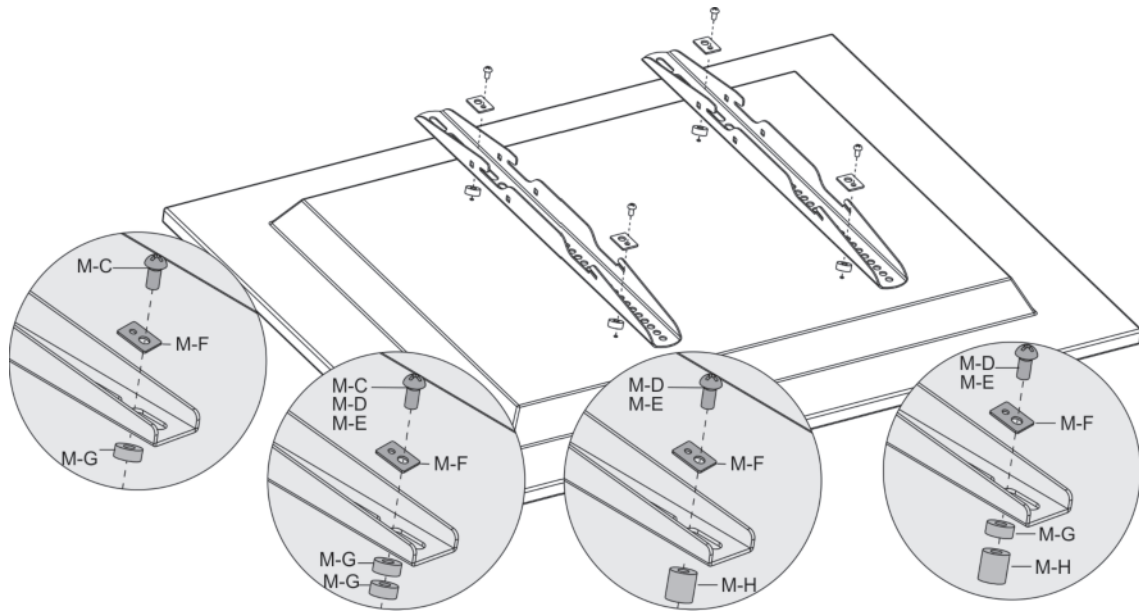
If you wish to tilt the screen -5° vertically, previously install the D tilt parts into the vertical bars as is shown in the figure below. If you do not want any inclination, then install the bars directly to the screen.



2.1.- Back of the flat screen:

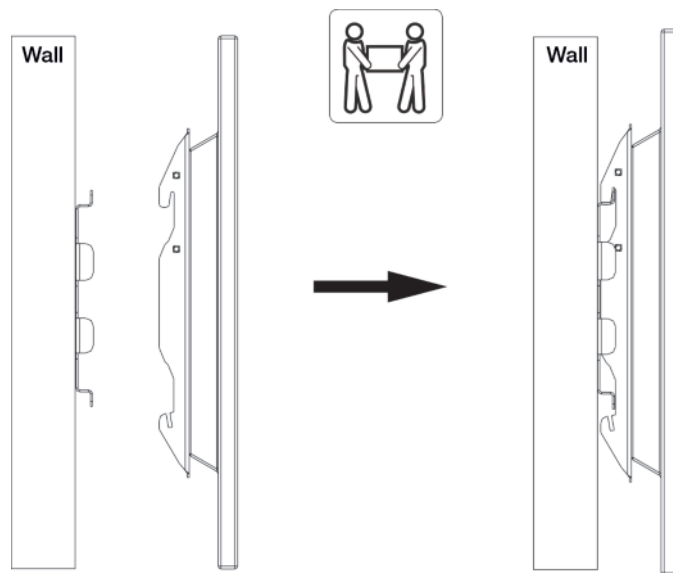


2.2.- Back of the curved screen or screen with inset:

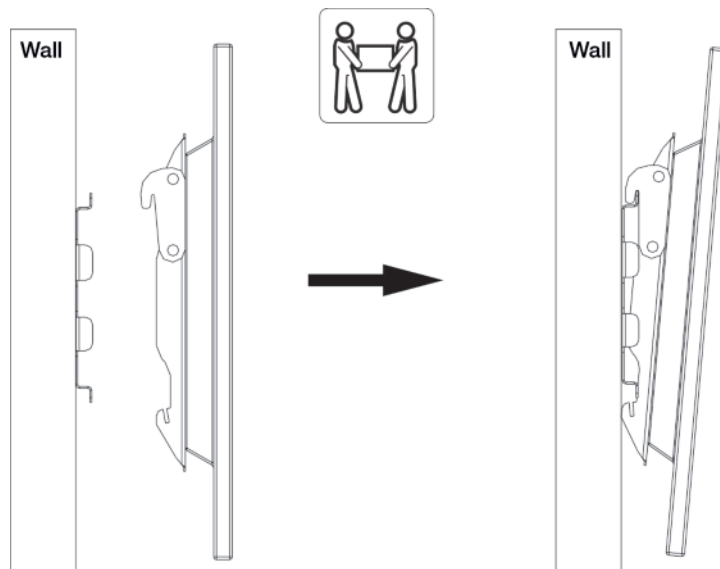


3.- INSTALLING THE SCREEN

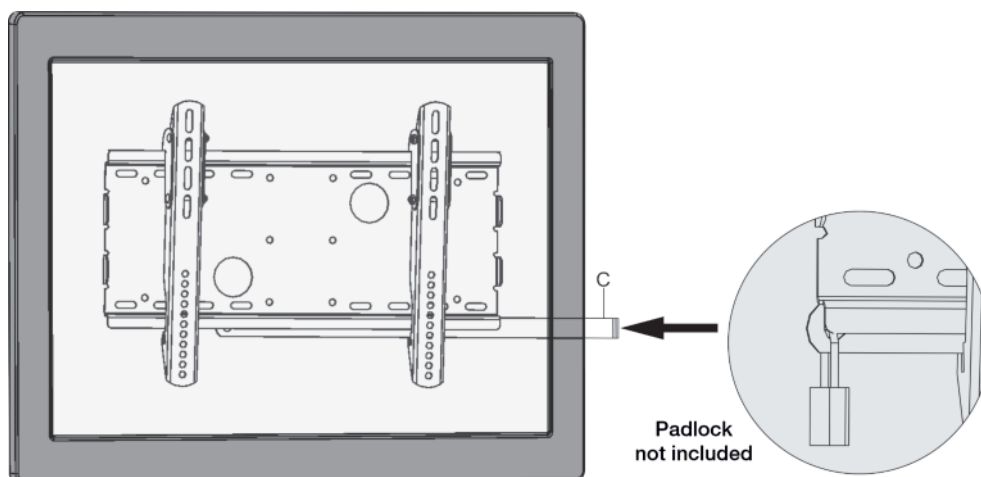
3.1.- Without inclination



3.2.- With -5° inclination



4.- ATTACHING A SAFETY BAR



IMPORTANT

- 1.- The installation surface must be completely flat. Make sure the holes in the wall coincide with the holes on the plate. Screw the mount to the wall, in vertical position only.
- 2.- The mount must be properly and firmly attached to the wall or installation surface to make sure that the support holds the maximum weight. **FONESTAR** does not hold itself responsible for damage or breakages due to the mount falling away from the wall because it was incorrectly attached, the wall was in bad conditions or it was handled incorrectly.

WARRANTY

This product has been tested and has passed the corresponding quality control prior to being put on the market. **FONESTAR** guarantees the suitability of the product for its specified use during a period of 2 years from the delivery date and commits itself to repair or substitute the goods as expressed in the Spanish law 'La Ley General para la Defensa de los Consumidores y Usuarios, Real Decreto Legislativo 1/2007 16 Noviembre.

The lack of conformity in the first six months after purchase, due to a manufacturing defect, will be rectified with no more than showing the proof of purchase. After six months **FONESTAR** reserves the right to demand proof of the product being sold with that problem.

This warranty does not include damage produced by: inappropriate use or negligence, accidents, worn out parts due to use, breakages, burns, spilt liquids or other substances, excessive humidity, battery deterioration and internal manipulation of the device, the software or its components by unauthorized persons, and in general any use that is unrelated to the nature and purpose of the product.

If any service is needed during the warranty period because of lack of conformity, please contact the business or distributor where the product was purchased in no more than 2 months after being conscious of the problem. It is only necessary to contact **FONESTAR** if it is impossible or imposes an undue burden for them to solve it.

To benefit from this warranty it is necessary to show the proof of purchase with the date clearly visible, with no corrections or crossing out.

This document adds information, and never decreases the consumers' rights, which in all cases are protected by the Spanish law 'La Ley General para la Defensa de los Consumidores y Usuarios, Real Decreto Legislativo 1/2007 16 Noviembre.



FONESTAR is a member of ECOEMBALAJES ESPAÑA, S.A. "ECOEMBES", with number 03497 and all our products carry the symbol, backed by our membership and subscription to the above mentioned organization with the recycling and subsequent management of our packaging.

FONESTAR S.A. - NIF A28780443 - Apartado 191 - 39080 - Santander, Cantabria, (Spain)

www.fonestar.com